



Modular Cooking Range Line thermaline 90 - Half Module Gas Chargrill, 1 Side

ITEM # _____

MODEL # _____

NAME # _____

SIS # _____

AIA # _____



589278 (MCDAADOPO) Gas Chargrill Tops, one-side operated

Short Form Specification

Item No.

Unit constructed according to DIN 18860_2 with 20 mm drop nose top. Internal frame for heavy duty sturdiness in stainless steel. 2 mm top in 1.4301 (AISI 304). Flat surface construction, easily cleanable. THERMODUL connection system enables seamless worktop when units are connected and avoids soil penetrating. Heavy duty enamelled cast iron cooking grids with stainless steel handle for easy removal. Special system utilizing stainless steel heat spreading shields below the radiants (PATENT PENDING), to avoid burner clogging, minimize flare ups, and provide even heat distribution. Burners are protected by 1.4509 (AISI 441) stainless steel deflective trays. Full-length grease collection drawer with filling indicator to collect residual cooking grease. Metal knobs with embedded hygienic silicon "soft" grip enable easier handling and cleaning. IPX4 water resistance certification. Configuration: One-side operated top. The base is supplied by the factory

Main Features

- Special system utilizing stainless steel heat spreading shields below the radiants (PATENT US9591947B2 and related family) avoiding burner clogging and minimizing flare ups while providing an even heat distribution throughout the cooking surface.
- Stainless steel high splash guards on the rear and sides of cooking surface.
- All major components may be easily accessed from the front.
- THERMODUL connection system creates a seamless work top when units are connected to each other thus avoiding soil penetrating vital components and facilitating the removal of units in case of replacement or service.
- Metal knobs with embedded hygienic "soft-touch" grip for easier handling and cleaning. The special design of the controls prevents infiltration of liquids or soil into vital components.
- Burners are protected by 1.4509 (AISI 441) stainless steel deflective trays avoiding flare-ups and providing even heat distribution.
- Full-length grease collection drawer with filling indicator, to collect residual cooking grease, and handle to facilitate manipulations.
- Cooking grids made in highly resistant enameled cast iron for easy cleaning.

Construction

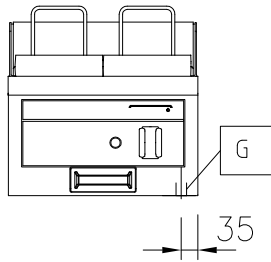
- IPx4 water protection.
- 2 mm top in 1.4301 (AISI 304).
- Flat surface construction with minimal hidden areas to easily clean all surfaces
- Internal frame for heavy duty sturdiness in 1.4301 (AISI 304).
- Unit constructed according to DIN 18860_2 with 20 mm drop nose top.
- Unit constructed according to DIN 18860_2 with 20 mm drop nose top and 70 mm recessed plinth.

APPROVAL: _____

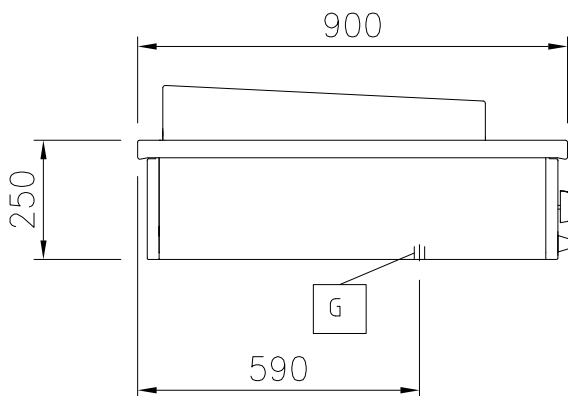


Experience the Excellence
www.electroluxprofessional.com

Front

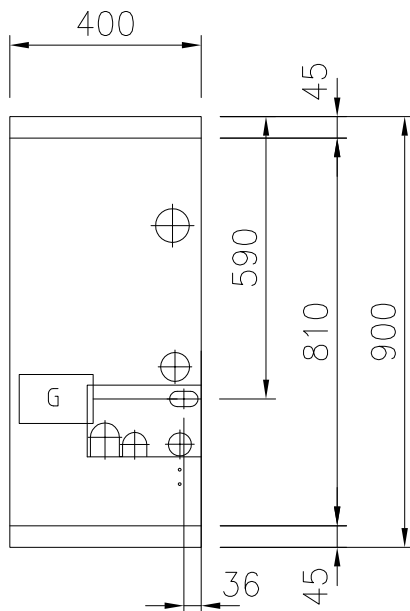


Side



EQ = Equipotential screw
 G = Gas connection

Top



Gas

Gas Power:	10.5 kW
Gas Inlet:	1/2"

Key Information:

External dimensions, Width:	400 mm
External dimensions, Depth:	900 mm
External dimensions, Height:	250 mm
Net weight:	65 kg
Configuration:	One-Side Operated;Top
Grid dimensions:	364 mm

Sustainability

Energy consumption, Min/Max:	0 - 1.11 m ³ /h
------------------------------	----------------------------

Optional Accessories

- Connecting rail kit, 900mm PNC 912502
- Connecting rail kit: modular 90 (on the left) to ProThermetic tilting (on the right), ProThermetic stationary (on the left) to ProThermetic tilting (on the right) PNC 912975
- Connecting rail kit: modular 80 (on the right) to ProThermetic tilting (on the left), ProThermetic stationary (on the right) to ProThermetic tilting (on the left) PNC 912976
- Endrail kit, flush-fitting, left PNC 913111
- Endrail kit, flush-fitting, right PNC 913112
- Endrail kit (12.5mm) for thermaline 90 units, left PNC 913202
- Endrail kit (12.5mm) for thermaline 90 units, right PNC 913203
- Insert profile d=900 PNC 913232
- Endrail kit, (12.5mm), for back-to-back installation, left PNC 913251
- Endrail kit, (12.5mm), for back-to-back installation, right PNC 913252
- Endrail kit, flush-fitting, for back-to-back installation, left PNC 913255
- Endrail kit, flush-fitting, for back-to-back installation, right PNC 913256
- Gas mainswitch for modular H800 gas units (factory fitted) PNC 913698